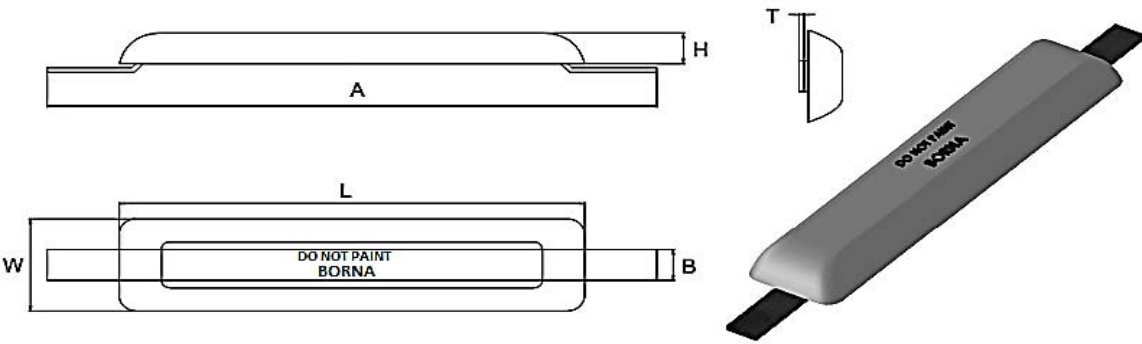




1		2		3	
				<p>www.bornagodaz.com Tel: 02156233929-30 info@bornagodaz.com Fax: 02156230236</p> <p>Head Office: No. 2 , Golbarg 2 , Narenjestan Blvd , Shamsabad Industrial City , Qom Old Road , Tehran, Iran</p>	
				<p>TITLE:</p> <p align="center">SACRIFICIAL ZINC ANODE</p> <p align="center">(5 KG GROSS WT)</p>	
		<p>DWG CODE:</p> <p align="center">BAZS1L270W80G5000</p>	<p>DOC NO.:</p> <p align="center">4-DR-15</p>		
<p align="center">Specifications & Properties</p>		<p align="center">Electrochemical Properties of Zinc Anodes</p>		<p align="center">Approved by BORNA GODAZ Co.</p>	
<p>Anode Dimension Approx (mm) L=270 ; W=80 ; H=45</p>		<p align="center">Acc. To DNV-RP-B401</p>		<p>Name & Signature:</p> 	
<p>Insert Dimension Approx (mm) A=380 ; B=40 ; T=4</p>		<p>Closed circuit potential (V) -1.05</p>			
<p>Wt. (Kg): (Approx.) Gross =5</p>		<p>Electrochemical capacity (Ah/kg) (Ref. to Ag/AgCl) 780.0</p>			
<p>NOTE:</p> <p>- All data specifications are prepared according to relevant standards and regulations.</p>		<p>Efficiency (%) 95</p>		<p align="center">Client's Approval</p>	
		<p align="center">Chemical Composition of Zinc Anodes</p>		<p>Name & Signature:</p>	
		<p align="center">Acc. To DNV-RP-B401</p>			
		<p>Al 0.1-0.5%</p>			
		<p>Cd ≤0.07%</p>			
		<p>Fe ≤0.005%</p>			
		<p>Cu ≤0.005%</p>			
		<p>Pb ≤0.006%</p>			
		<p>Zn Remainder</p>			
		<p>Design & Draw: H.SOHRABI 10 FEB 2016</p>			
		<p>Checked: A.AKHLAGHI 10 FEB 2016</p>			
		<p>Approved: M.NASRI 10 FEB 2016</p>			
		<p>SCALE: A4 SHEET 1 OF 1</p>			